



Benchmark Example No. 33

Designing a Reinforced Concrete Column acc. DIN EN 1992-1-1

VERiFiCATION
DCE-EN33 Designing a Reinforced Concrete Column acc. DIN EN 1992-1-1

VERiFiCATION Manual, Service Pack 2023-10 Build 44

Copyright © 2024 by SOFiSTiK AG, Nuremberg, Germany.

SOFiSTiK AG

HQ Nuremberg
Flataustraße 14
90411 Nürnberg
Germany

T +49 (0)911 39901-0
F +49(0)911 397904

Office Garching
Parkring 2
85748 Garching bei München
Germany

T +49 (0)89 315878-0
F +49 (0)89 315878-23

info@sofistik.com
www.sofistik.com

This manual is protected by copyright laws. No part of it may be translated, copied or reproduced, in any form or by any means, without written permission from SOFiSTiK AG. SOFiSTiK reserves the right to modify or to release new editions of this manual.

The manual and the program have been thoroughly checked for errors. However, SOFiSTiK does not claim that either one is completely error free. Errors and omissions are corrected as soon as they are detected.

The user of the program is solely responsible for the applications. We strongly encourage the user to test the correctness of all calculations at least by random sampling.

Front Cover

Volkstheater, Munich Photo: Florian Schreiber

Overview

Design Code Family(s):	DIN
Design Code(s):	DIN EN 1992-1-1
Module(s):	COLUMN
Input file(s):	column_din_en_1992_nkv.dat

1 Problem Description

The problem consists of a reinforced concrete column positioned at edge of the building, as shown in Fig. 1. Different loading conditions and the design approach by using the *nominal curvature* method are examined.

The main goal of this benchmark is to verify and compare the SOFiSTiK results with the reference example *Beispiele zur Bemessung nach Eurocode 2 - Band 1: Hochbau* [1, Example 10]. In this example the **Ultimate Limit State (ULS)** of the prefabricated column is verified.

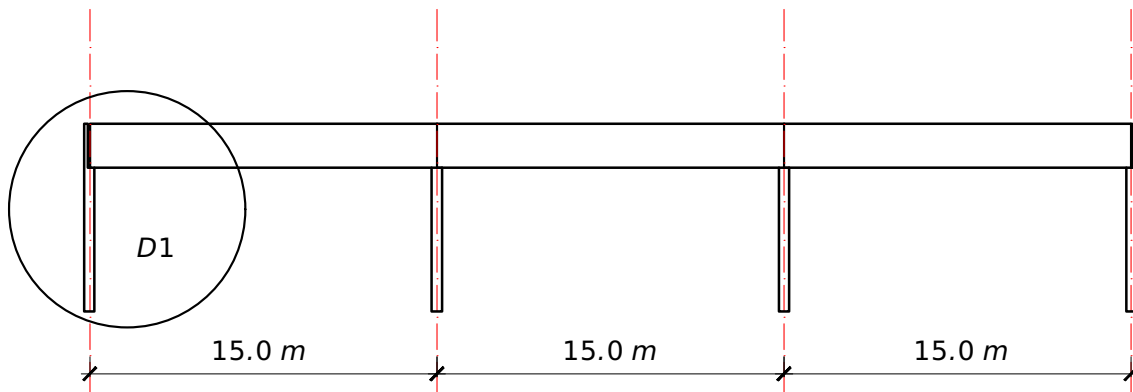


Figure 1: Column D1

2 Reference Solution

This example is concerned with the design of reinforced concrete column. The content of this problem is covered by following parts of DIN EN 1992-1-1:2004 [2]:

- Concrete cover (Section 4.4.1.1 and (NDP) Tab. 4.4DE)
- Materials (Section 3.1 and 3.2)
- Analysis of second order effects with axial load (Section 5.8)
- Geometric imperfections (Section 5.2)
- Columns (Section 9.5)
- Shear (Section 6.2.2)

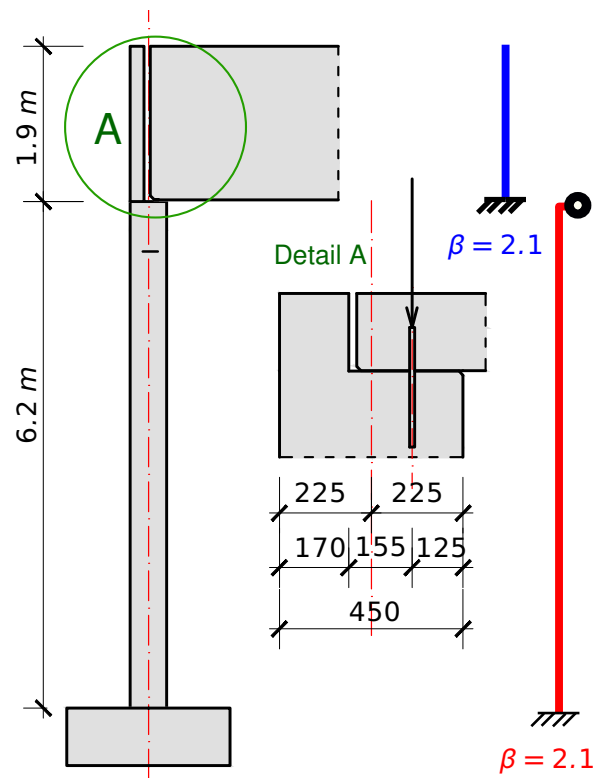


Figure 2: Column properties

The design stress-strain diagram for reinforcing steel considered in this example, consists of an inclined top branch, as defined in DIN EN 1992-1-1:2004 [2] (Section 3.2.7).

3 Model and Results

The column, with properties as defined in Table 1, is to be designed for ultimate limit state, with respect to DIN EN 1992-1-1:2004 (German National Annex) [2] [3]. The calculation steps with loading conditions are presented below and the results are given in Table 3.

Table 1: Model Properties

Material Properties	Geometric Properties	Loading
C 30/37	$b_1/h_1 = 45/40 \text{ cm}$	$G_k = 431.0 \text{ kN}$
B 500B	$b_2/h_2 = 17/40 \text{ cm}$	$Q_{k,s} = 68.0 \text{ kN}$
	$d_y = 41 \text{ cm}$	$q_{k,w1} = +4.32 \text{ kN/m}$
	$h = 6.20 + 1.9 = 8.1 \text{ m}$	$q_{k,w2} = -1.85 \text{ kN/m}$

Table 2: Results

	Units	SOF.	Ref.
N	[kN]	-633.0	-633.0
M_y	[kNm]	100.28	100.0
M_z	[kNm]	0.0	0.0
e_0	[mm]	158.4 ¹	179.0
e_1	[mm]	20.7	21.0
$A_{s,req,1}$	[cm ²]	15.45 ¹	16.20
$A_{s,req,2}$	[cm ²]	4.52	4.52

¹See conclusion (Section 5) for more details why the results are different compared to the reference example.

4 Design Process ¹

Design with respect to DIN EN 1992-1-1:2004 (NA) [2] [3]:²

4.1 Exposure class

For concrete inside buildings with low air humidity → XC1

Min. concrete class → C 16/20

Chosen concrete class → C 37/30

$$c_{nom} = c_{min} + c_{dev}$$

$$c_{nom} = 10 + 10 = 20 \text{ mm}$$

c_{nom} is the nominal concrete cover between the surface of the reinforcement closest to the nearest concrete surface, 4.4.1.1, Eq. (4.1)

4.2 Actions

Dead loading

$$G_{k,1} = 400 \text{ kN}$$

$$G_{k,2,1} = 0.40 \text{ m} \cdot 0.45 \text{ m} \cdot 6.20 \text{ m} \cdot 25 \text{ kN/m}^3 = 27.9 \text{ kN}$$

$$G_{k,2,2} = 0.40 \text{ m} \cdot 0.17 \text{ m} \cdot 1.90 \text{ m} \cdot 25 \text{ kN/m}^3 = 3.2 \text{ kN}$$

$$\sum G_{k,i} = 431 \text{ kN}$$

Variable loading

Snow: $Q_{k,s} = 68 \text{ kN}$

Wind: $w_e = c_{pe} \cdot q(z_e)$

$$q_{k,w,1} = +0.7 \cdot 0.95 = +0.665 \text{ kN/m}^2$$

$$q_{k,w,2} = -0.3 \cdot 0.95 = -0.285 \text{ kN/m}^2$$

Distance between columns is $a = 6.5 \text{ m}$

4.3 Materials

Concrete

Class C 30/37

$$\gamma_c = 1.50$$

$$f_{ck} = 30 \text{ MPa}$$

$$f_{cd} = a_{cc} \cdot f_{ck} / \gamma_c = 0.85 \cdot 30 / 1.5 = 17.0 \text{ MPa}$$

(NDP) 2.4.2.4: (1), Tab. 2.1DE: Partial factors for materials

Tab. 3.1: Strength for concrete

3.1.6: (1)P, Eq. (3.15): $a_{cc} = 0.85$ considering long term effects

¹The tools used in the design process are based on steel stress-strain diagrams, as defined in [2] 3.2.7:(2), Fig. 3.8.

²The sections mentioned in the margins refer to DIN EN 1992-1-1:2004 (German National Annex) [2], [3], unless otherwise specified.

Steel

Class B 500B

$$\gamma_s = 1.15$$

$$f_{yk} = 500 \text{ MPa}$$

$$f_{yd} = f_{yk} / \gamma_s = 500 / 1.15 = 434.78 \text{ MPa}$$

3.2.2: (3)P: yield strength $f_{yk} = 500 \text{ MPa}$

3.2.7: (2), Fig. 3.8

4.4 Buckling length

Buckling length around the y-axis:

$$l_{0,y} = \beta_y \cdot l_{col}$$

$$l_{col} = 6.20 \text{ m}$$

$$\beta_y = 2.1 \leftarrow \text{approximated}$$

$$l_{0,y} = 6.2 \cdot 2.1 = 13.0 \text{ m}$$

$$\lambda_y = \frac{l_{y,0}}{i_y} = 13.0 \cdot \sqrt{12} / 0.45 = 100$$

l_{col} , height of the column between the idealized fixing points.

β_y , buckling factor

λ_y , slenderness

Buckling length around the z-axis:

$$l_{0,z} = \beta_z \cdot l_{col}$$

$$l_{col} = 6.20 \text{ m}$$

$$\beta_z = 1.0 \leftarrow \text{pinned on both sides}$$

$$l_{0,z} = 6.2 \cdot 1.0 = 6.2 \text{ m}$$

$$\lambda_z = \frac{l_{z,0}}{i_z} = 6.2 \cdot \sqrt{12} / 0.40 = 54$$

l_{col} , height of the column between the idealized fixing points.

β_z , buckling factor

λ_z , slenderness

Slenderness criterion for isolated member

$$n = \frac{N_{Ed}}{A_c \cdot f_{cd}} = \frac{0.684}{0.40 \cdot 0.45 \cdot 17.0} = 0.224$$

n is the relative normal force, (NDP) 5.8.3.1 (1)

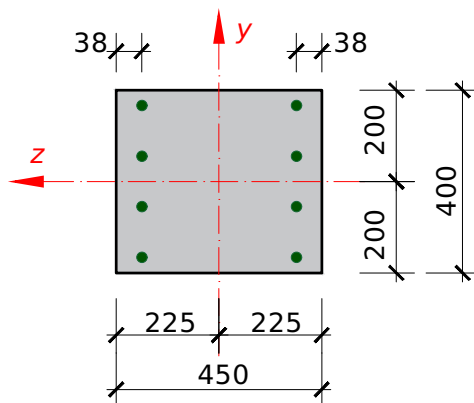


Figure 3: Column properties

$$\lambda_{lim} = \frac{16}{\sqrt{n}} = \frac{16}{0.224} = 34 \text{ for } n = 0.224 < 0.41$$

5.8.3.1(2)

Because $\lambda_y = 100$ and λ_z are $> \lambda_{lim} = 34$ second order effects should be taken into account in both directions (y and z).

4.5 Imperfections

For isolated members, the effect of imperfection may be taken into account:

e_i is the eccentricity acc. 5.2(7), a) Eq. (5.2)

$$e_i = \theta \cdot \frac{l_0}{2}$$

θ is the inclination value acc. Eq. (5.1)

$$\theta = \theta_0 \cdot \alpha_h \cdot \alpha_m$$

θ_0 is the basic inclination value, Eq. (5.1)

$$\theta_0 = \frac{1}{200}$$

α_h is the reduction factor for length of the height

$$\alpha_h = \frac{2}{\sqrt{l}} = \frac{2}{\sqrt{6.2}} = 0.803 < 1.0$$

$$\alpha_m = \sqrt{0.5 \cdot (1 + 1/m)} = \sqrt{0.5 \cdot (1 + 1/4)} = 0.79$$

Bending about the y-axis:

$$l_{0,y} = 13.00 \text{ m}$$

$$\theta_i = 0.803 \cdot 0.79 \cdot \frac{1}{200} = 0.00317 = 1/315$$

$$e_{a,z} = \frac{13000}{2 \cdot 315} = 21 \text{ mm}$$

Bending about the z-axis:

$$l_{0,z} = 6.20 \text{ m}$$

$$\theta_i = 0.803 \cdot 1.0 \cdot \frac{1}{200} = 0.00402 \approx 1/250$$

$$e_{a,y} = \frac{6200}{2 \cdot 250} = 13 \text{ mm}$$

4.6 Min. and max. required reinforcement

(NDP) 9.5.2, maximum value of $0.09 A_c$ should not be exceeded.

$$A_{s,max} = 0.09 \cdot 40 \cdot 45 = 162 \text{ cm}^2$$

$$A_{s,min} = 0.15 \cdot \frac{|N_{Ed}|}{f_{yd}} = 10^4 \cdot 0.15 \cdot 0.684/435 = 2.35 \text{ cm}^2$$

$$\text{Constructive: } 6 \phi 12: A_{s,min} = 6.79 \text{ cm}^2$$

4.7 Design of longitudinal reinforcement

Nominal curvature method for y-y direction

The design is approached by using the nominal curvature method. This method is primarily suitable for isolated members with constant normal force and a defined effective length l_0 . The method gives a nominal

second order moment based on a deflection, which in turn is based on the effective length and an estimated maximum.

Design moment M_{Ed} :

$$M_{Ed} = M_{0Ed} + M_2 = N_{Ed} \cdot (e_0 + e_i + e_2)$$

$$K_1 = 1 \text{ for } \lambda > 35$$

$$n_u = 1 + \omega = 1 + \frac{f_{cd} \cdot A_c}{f_{yd} \cdot A_s}$$

In the reference example $A_s = 25.1 \text{ cm}^2$ value is roughly estimated. The formula for ω value is NOT correct.

In SOFiSTiK we use $\omega = \frac{f_{yd} \cdot A_s}{f_{cd} \cdot A_c}$

$$n_u = 1 + \frac{17.0 \cdot 0.40 \cdot 0.45}{435 \cdot 25.1 \cdot 10^{-4}}$$

$$n_u = 1 + \frac{3.06}{1.09} = 3.81$$

$$n_{bal} = 0.4$$

$$\varepsilon_{yd} = \frac{f_{yd}}{E_s} = \frac{435}{200000} = 2.175 \cdot 10^3$$

n_{bal} is the value of n at maximum moment resistance, the value 0.4 may be used, 5.8.8.3

statical height:

$$d = h - c_{v,s} - \phi_{v,s} - \frac{\phi_l}{2}$$

$$d = 450 - 20 - 10 - \frac{16}{2} \approx 410 \text{ mm}$$

Cross-section: $b/h/d = 400/450/410 \text{ mm}$

$$\frac{d_1}{h} = \frac{(450 - 410)}{450} = 0.09 \approx 0.10$$

Table 3: Results

Value	Units	Comb 1	Comb 2	Comb 3
M_y	[kN]	74.40	90.40	100.00
N	[kN]	-684.00	-431.00	-633.00
e_0	[mm]	109	210	158
e_1	[mm]	21	21	21
$e_0 + e_i$ [mm]	[mm]	130	231	179
n		0.224	0.141	0.207
K_r		1	1	1

Table 3: (continued)

Value	Units	Comb 1	Comb 2	Comb 3
$e_2 = K_1 \cdot \frac{1}{r} \cdot \frac{l_0^2}{10}$	[mm]	199	199	199
$e_{tot} = e_0 + e_i + e_2$	[mm]	329	430	378
$M_{Ed} = N_{Ed} \cdot e_{tot}$	[kNm]	225	185	239
$\mu_{Ed} = M_{Ed} / (b \cdot d^2 \cdot f_{cd})$		0.16	0.13	0.174
ω_{tot}		0.19	0.13	0.174
$A_{s,tot} = \omega_{tot} \cdot b \cdot h \cdot \frac{f_{cd}}{f_{yd}}$	[cm ²]	13.40	12.70	16.20

Creep and shrinkage

$\phi(\infty, t_0)$, 3.1.4, Fig. 3.1 a)

$$\phi_{ef} = \phi(\infty, t_0) \cdot \frac{M_{0Eqp}}{M_{0Ed}}$$

$$K_{f\phi} = 1 + \beta \cdot \phi_{ef} \geq 1.0$$

$$\beta = 0.35 + \frac{f_{ck}}{200} - \frac{\lambda}{150} \geq 0$$

$$\beta = 0.35 + \frac{300}{200} - \frac{100}{150} = -0.17 < 0$$

$K_{\phi} = 1 \rightarrow$ Creep and shrinkage is neglected!

Nominal curvature method for z-z direction

The column will be designed as a non-reinforcement column for z-z direction:

Buckling length:

$$l_{0,z} = 6.20 \text{ m}$$

Slenderness:

$$\lambda_z = 54 < \lambda_{max} = 86$$

Limits for the second order theory:

$$\frac{l_{col}}{h} = \frac{6.20}{0.40} = 15.50 > 2.5$$

The column should be investigated for the second order effects.

Design resistance normal force N_{Rd} :

$$N_{Rd} = b \cdot h_w \cdot f_{cd,pl} \cdot \Phi$$

$$\Phi = 1.14 \cdot \left(1 - 2 \cdot \frac{e_{tot}}{h_w}\right) - 0.02 \cdot \frac{l_0}{h_w} \leq 1 - \frac{2 \cdot e_{tot}}{h}$$

Φ is the factor taking into account eccentricity, including 2nd order effects and normal effects of creep, 12.6.5.2

h_w is the overall depth of the cross-section, 12.6.5.2

b is the overall width of the cross-section, 12.6.5.2

$$e_{tot} = e_0 + e_i = 0 + 13 = 13 \text{ mm}$$

$$\Phi = 1.14 \cdot \left(1 - 2 \cdot \frac{13}{400}\right) - 0.02 \cdot \frac{6200}{400} \leq 1 - \frac{2 \cdot 13}{400}$$

$$\Phi = 0.756 \leq 0.94$$

$$f_{cd,pl} = \frac{0.70 \cdot 30}{1.5} = 14.0 \text{ N/mm}^2$$

$$N_{Rd} = 0.45 \cdot 0.40 \cdot 14.0 \cdot 0.756 = 1.9 \text{ sMN} > |N_{Ed}| = 0.684 \text{ MN}$$

4.8 Design of shear reinforcement

Shear design on bottom of column:

$$V_{Ed} = -32.0 \text{ kN}$$

General verification procedure, 6.2.1

$$N_{Ed} = 431 \text{ kN}$$

$$d = 0.41 \text{ m}$$

$$V_{Ed,ref} = 32.0 - 0.41 \cdot 6.48 = 29.3 \text{ kN}$$

The design value of the shear resistance $V_{Rd,c}$

$$V_{Rd,c} = \left[\frac{0.15}{\gamma_c} \cdot k \cdot (100 \cdot \rho_l \cdot f_{ck})^{1/3} + 0.12 \cdot \sigma_{cp} \right] \cdot b_w \cdot d > V_{Rd,c,min}$$

Shear design, 6.2.2, Eq. (6.2)

$$k = 1 + \sqrt{\frac{200}{d}} \leq 2.0$$

$$k = 1 + \sqrt{\frac{200}{410}} = 1.70$$

$$\rho_l = \frac{A_{sl}}{b_w \cdot d} = \frac{8.04}{40 \cdot 41} = 0.0049 < 0.02$$

$$f_{ck} = 30 \text{ N/mm}^2$$

$$\sigma_{cp} = \frac{N_{Ed}}{A_c} = \frac{0.431}{0.40 \cdot 0.45} = 2.39 \text{ MN/m}^2$$

C30/37 → 0.2 · f_{cd} = 3.4 MPa

$$V_{Rd,c} = \left[\frac{0.15}{1.5} \cdot 1.70 \cdot (100 \cdot 0.49 \cdot 30)^{1/3} + 0.12 \cdot 2.39 \right] \cdot 0.40 \cdot 0.41 > = 0.115 \text{ MN}$$

$$V_{Ed,red} = 29.3 \text{ kN} < V_{Rd,c} = 115 \text{ kN}$$

→ no shear reinforcement required!

5 Conclusion

This example shows the calculation of column design by using the nominal curvature method. Various ways of reference calculations are demonstrated, in order to compare the reference results to SOFiSTiK.

The main reason for minor deviations (See Tab. 3 in Section 3) is that in the reference benchmark, the 2nd order effects and the reinforcement are approximated by using analytical formulas. In SOFiSTiK, the K_r value is iterated until $K_r < 1 \cdot 10^{-4}$, if this condition is met, then the iteration is stopped. With a hand calculation this is very difficult to achieve.

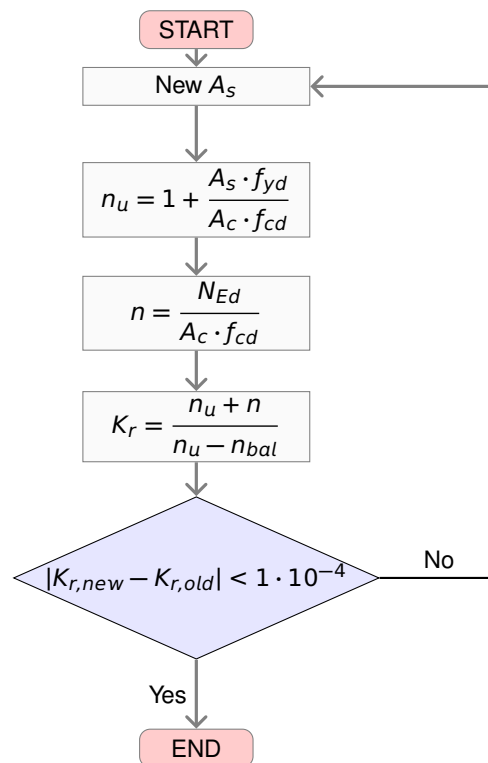


Figure 4: Iteration

The general approach of the nominal curvature is listed as following steps:

1. Calculation of the imperfection e_i , slenderness λ and inner lever arm $d_{y,z}$
2. Find the critical deflection e_0 , which depends on the current loadcase combination. Consider different end-moments according EN 1992-1-1:2004, 5.8.8.2 (2), Eq. 5.32
3. Start iteration of design moment M_{Ed} (Theory II. Order). The iteration will stop, when the coefficient K_r achieved convergence.
 - (a) Validation, if uni-/biaxial design can be applied
 - (b) Calculate the coefficient K_r and the eccentricity e_2
 - (c) Calculate actual design moment $M_{Ed} = N_{Ed} \cdot (e_0 + e_i + e_2)$
 - (d) Calculate required reinforcement with the program AQB
4. Additional cross section design on different locations (without imperfection and theory II.O.)
5. Result: decisive design moment, required reinforcement and utilization factor.

6 Literature

- [1] *Beispiele zur Bemessung nach Eurocode 2 - Band 1: Hochbau*. Ernst & Sohn. Deutschen Beton- und Bautechnik-Verein E.V. 2011.
 - [2] *DIN EN 1992-1-1/NA: Eurocode 2: Design of concrete structures, Part 1-1/NA: General rules and rules for buildings - German version EN 1992-1-1:2005 (D), Nationaler Anhang Deutschland - Stand Februar 2010*. CEN. 2010.
 - [3] F. Fingerloos, J. Hegger, and K. Zilch. *DIN EN 1992-1-1 Bemessung und Konstruktion von Stahlbeton- und Spannbetontragwerken - Teil 1-1: Allgemeine Bemessungsregeln und Regeln für den Hochbau*. BVPI, DBV, ISB, VBI. Ernst & Sohn, Beuth, 2012.
-