



Benchmark Example No. 3

Beam Stresses and Deflections

SOFiSTiK | 2022

VERiFiCATION
BE3 Beam Stresses and Deflections

VERiFiCATION Manual, Service Pack 2022-12 Build 74

Copyright © 2023 by SOFiSTiK AG, Nuremberg, Germany.

SOFiSTiK AG

HQ Nuremberg
Flataustraße 14
90411 Nürnberg
Germany

T +49 (0)911 39901-0

F +49(0)911 397904

Office Garching
Parkring 2
85748 Garching bei München
Germany

T +49 (0)89 315878-0

F +49 (0)89 315878-23

info@sofistik.com
www.sofistik.com

This manual is protected by copyright laws. No part of it may be translated, copied or reproduced, in any form or by any means, without written permission from SOFiSTiK AG. SOFiSTiK reserves the right to modify or to release new editions of this manual.

The manual and the program have been thoroughly checked for errors. However, SOFiSTiK does not claim that either one is completely error free. Errors and omissions are corrected as soon as they are detected.

The user of the program is solely responsible for the applications. We strongly encourage the user to test the correctness of all calculations at least by random sampling.

Front Cover

Arnulfsteg, Munich Photo: Hans Gössing

Overview

Element Type(s):	B3D
Analysis Type(s):	STAT
Procedure(s):	
Topic(s):	
Module(s):	ASE
Input file(s):	rect_beam.dat , l_beam.dat

1 Problem Description

A rectangular beam is supported as shown in Fig. 1 and loaded on the overhangs by a uniformly distributed load q . Determine the maximum bending stress σ in the middle portion of the beam and the deflection δ at the middle of the beam.

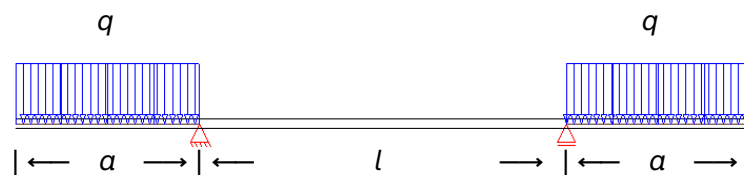


Figure 1: Beam structure

2 Reference Solution

The magnitude of the stresses at a cross-section is defined by the magnitude of the shearing force and bending moment at that cross-section. Under pure bending, the maximum tensile and compressive stresses occur in the outermost fibers. For any cross-section, which has its centroid at the middle of the depth h , and for a linear elastic material behaviour, the maximum stresses occur for $z = \pm h/2$ [1]:

$$\sigma_{max} = \frac{Mh}{2I} \quad \text{and} \quad \sigma_{min} = -\frac{Mh}{2I}, \quad (1)$$

in which I , is the moment of inertia of the cross-section with respect to the neutral axis and M the bending moment. For a beam overhanging equally at both supports with a uniformly distributed load applied at the overhangs (Fig. 1), assuming Bernoulli beam theory, the deflection at the middle of the beam is:

$$\delta = \frac{qa^2l^2}{16EI} = \frac{Ml^2}{8EI}, \quad (2)$$

where q is the value of the uniformly distributed load, a the length of the overhangs, l the length of the middle span and M the bending moment at the middle of the beam.

3 Model and Results

The model is analysed for two different cross-sections, a rectangular and a general I-beam cross-section. The properties are defined in Table 1. The results are presented in Table 2. As to be expected, the analysis yields the same results for the maximum bending stress and deflection at the middle of the

beam for the two models. Figure 2 shows the distribution of the stresses along the cross-sections for the two analysed examples. Figure 3 shows the deformed structure with the nodal displacements.

Table 1: Model Properties

Material Properties	Geometric Properties	Geometric Properties	Loading
	Rectangular	I-beam	
$E = 30000 \text{ MPa}$	$l = 200 \text{ mm}$	$l = 200 \text{ mm}$	$q = 10 \text{ kN/m}$
	$a = 100 \text{ mm}$	$b = 16 \text{ mm}$	
	$h = 30 \text{ mm}$	$t_{web} = 2.174 \text{ mm}$	
	$b = 7 \text{ mm}$	$t_{flange} = 2 \text{ mm}$	
	$I_y = 1.575 \text{ cm}^4$	$I_y = 1.575 \text{ cm}^4$	

Table 2: Results

	Rectangular	I-beam	Ref.
$\sigma_{max} \text{ [MPa]}$	47.619	47.620	47.619
$\delta \text{ [mm]}$	0.529	0.529	0.529

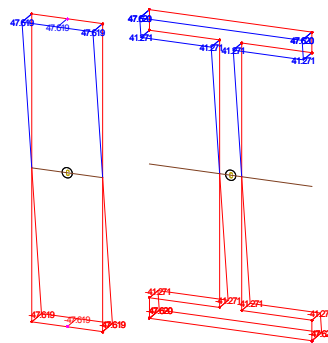


Figure 2: Distribution of stresses

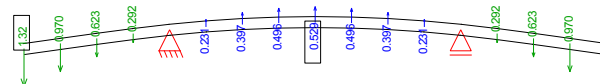


Figure 3: Deformed Structure

4 Conclusion

This example addresses the computation of beam stresses and deflections. It has been shown that the behaviour of the beam is captured with an excellent accuracy.

5 Literature

- [1] S. Timoshenko. *Strength of Materials, Part I, Elementary Theory and Problems*. 2nd. D. Van Nostrand Co., Inc., 1940.
-